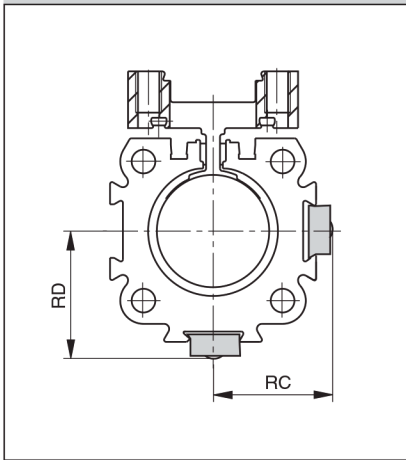


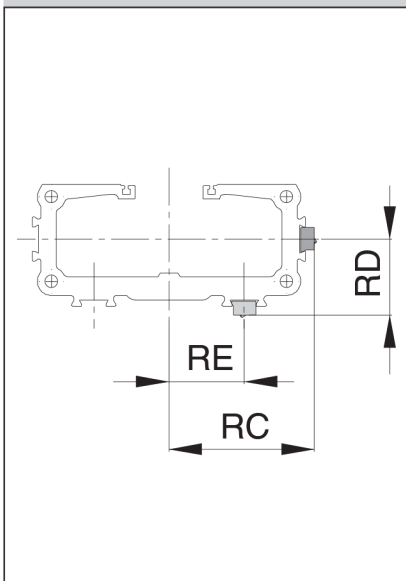
Dimensions – Series OSP-E



Dimension Table (mm) and Order Instructions

Series	Dimension			Order No.			
	RC	RD	RE	RS closer Normally open	RS opener Normally closed	PNP	ES NPN
OSP-E25	25	27	26	Type: RS-K	Type: RS-K	Type: ES-S	Type: ES-S
OSP-E32	31	34	32	KL3045	KL 3048	10750	10751
OSP-E50	43	48	44	Type: RS-S KL3047	Type: RS-S KL 3087		
Cable 5 m with connector and with open end for sensor Typ ES-S/RS-S				4041			

Dimensions – Series OSP-E..BHD



Placing of Sensors/Permanent Magnets — OSP-E..BHD

Standard Version

Drive Shaft Option = 0 (std)

Drive Shaft Option = 1 (optional)

Bi-Part Version

Drive Shaft Option = 2 (std)

Drive Shaft Option = 3 (optional)

“M” indicates where magnet is fitted in carrier and in which two of the dovetail grooves sensors can be placed. See also the adjacent dimension drawing.