

PHOTOELECTRIC  
SENSORS &  
SWITCHESMEASUREMENT  
SENSORSPROXIMITY  
SWITCHESLIMIT  
SWITCHESSAFETY  
KEY SWITCHESLIMIT SWITCHES  
WITH POSITIVE  
OPENING MECHANISMGENERAL PURPOSE  
LIMIT SWITCHESTECHNICAL GUIDE  
FOR  
LIMIT SWITCHESEXPLOSION-PROOF  
SWITCHESTECHNICAL GUIDE FOR  
EXPLOSION-PROOF  
SWITCHES

LJA10

LJM-D□□□

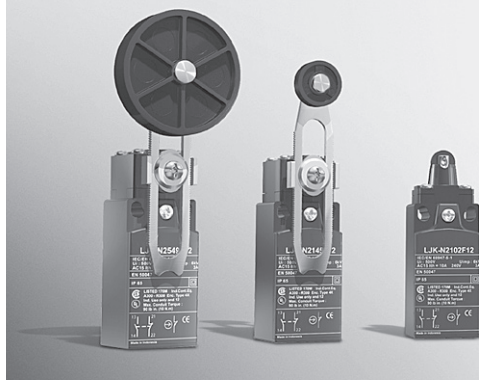
LJK-N□□□

# Compact plastic limit switches with positive opening mechanism



Model LJK-N□□□

Positive opening mechanism meets standards worldwide. A wide variety of actuators is available.



■ The LJK-N conforms to IEC standards, and is certified by UL and CSA. (excluding some models) For equipment and facilities to be exported anywhere in the world, use the LJK-N with confidence.

■ Positive opening mechanism ⊕ forces contacts open.\*

• Can prevent problems caused by contact fusing.

• Can be used also as a safety limit switch.

■ Wide variety, with 33 catalog listings in the lineup

• Actuators: 11 types

• Contact configuration

Snap action: N.C. x 1 + N.O. x 1

Slow action: N.C. x + N.O. x 1 (BBM: break before make), N.C. x 2

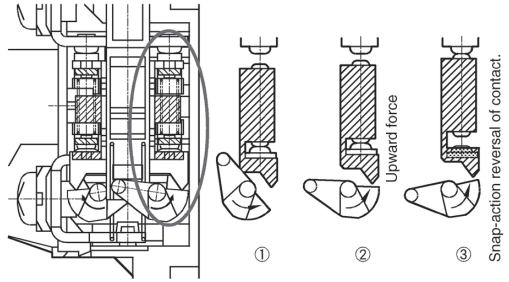
\*Except for the steel wire and spring rod types.

## CATALOG LISTING

Type of actuator	Internal switch mechanism	Contact configuration	Catalog listing
Resin roller lever	Snap action	N.C. x 1 + N.O. x 1	LJK-N2118F12
	Slow action BBM	N.C. x 1 + N.O. x 1	LJK-N2518F12
	Slow action	N.C. x 2	LJK-N2718F12
Resin adjustable roller lever	Snap action	N.C. x 1 + N.O. x 1	LJK-N2145F12
	Slow action BBM	N.C. x 1 + N.O. x 1	LJK-N2545F12
	Slow action	N.C. x 2	LJK-N2745F12
	Snap action	N.C. x 1 + N.O. x 1	LJK-N2139F12
50 mm dia. resin roller lever	Slow action BBM	N.C. x 1 + N.O. x 1	LJK-N2539F12
	Slow action	N.C. x 2	LJK-N2739F12
	Snap action	N.C. x 1 + N.O. x 1	LJK-N2149F12
50 mm dia. resin adjustable roller lever	Slow action BBM	N.C. x 1 + N.O. x 1	LJK-N2549F12
	Slow action	N.C. x 2	LJK-N2749F12
	Snap action	N.C. x 1 + N.O. x 1	LJK-N2110F12
	Slow action BBM	N.C. x 1 + N.O. x 1	LJK-N2510F12
Plunger	Slow action	N.C. x 2	LJK-N2710F12
	Snap action	N.C. x 1 + N.O. x 1	LJK-N2102F12
	Slow action BBM	N.C. x 1 + N.O. x 1	LJK-N2502F12
Resin roller plunger	Slow action	N.C. x 2	LJK-N2702F12
	Snap action	N.C. x 1 + N.O. x 1	LJK-N2103F12
	Slow action BBM	N.C. x 1 + N.O. x 1	LJK-N2503F12
Resin cross roller plunger	Slow action	N.C. x 2	LJK-N2703F12
	Snap action	N.C. x 1 + N.O. x 1	LJK-N2121F12
	Slow action BBM	N.C. x 1 + N.O. x 1	LJK-N2521F12
Resin one-way roller (horizontal)	Slow action	N.C. x 2	LJK-N2721F12
	Snap action	N.C. x 1 + N.O. x 1	LJK-N2127F12
	Slow action BBM	N.C. x 1 + N.O. x 1	LJK-N2527F12
Resin one-way roller (vertical)	Slow action	N.C. x 2	LJK-N2727F12
	Snap action	N.C. x 1 + N.O. x 1	LJK-N2106F12
	Slow action BBM	N.C. x 1 + N.O. x 1	LJK-N2506F12
Steel wire	Slow action	N.C. x 2	LJK-N2706F12
	Snap action	N.C. x 1 + N.O. x 1	LJK-N2108F12
	Slow action BBM	N.C. x 1 + N.O. x 1	LJK-N2508F12
Spring rod	Slow action	N.C. x 2	LJK-N2708F12

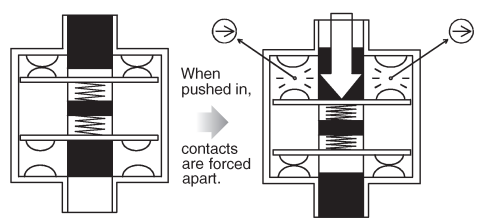
## INTERNAL SWITCH

### ● Snap-action type



### ● Slow-action BBM type

The slow action internal switch has N.C./N.O. electrically independent contacts (form Zb). The positive opening mechanism forces the contacts open (N.C. contacts only) even if they are fused.



As seen above, the cam forces the N.C. contact up from the bottom, even if there is fusing of the contacts.  
Note: Steel wire and spring rod types do not have positive opening mechanism.

## SPECIFICATIONS

Standards	Compliance	Product-related: IEC 60947-5-1⊕, and EN 60947-5-1⊕ Machine-related: IEC 60204-1 and EN 60204-1
	Certification	UL 508, CSA C22.2 No. 14
Structure	Protective structure	IP65 (IEC 60529, JIS C 0920)
	Electrical shock protection	Class II (IEC 61140)
	Pollution degree	3
Electrical performance	Internal switch	LJK-N21□□F12: snap action, LJK-N25□□F12 and LJK-N27□□F12: slow action
	Electrical rating	(See Table 1.)
	Insulation resistance	100 MΩ or more between terminals with the same polarity and between each terminal and non-live metal part (by DC500 megger)
	Initial contact resistance	25 mΩ or less (6 to 8 Vdc, thermal current 1A, measured by voltage drop method)
	Rated thermal current (Ith)	10A
	Short-circuit protection	10A breaking fuse, gG (gl) type
	Rated insulation voltage (Ui)	500V (IEC 60947-5-1), 300V (UL 508, CSA C22.2 No. 14)
	Rated conditional short-circuit current	1,000A
	Rated impulse withstand voltage (Uimp)	6,000V
	Mechanical performance	Impact resistance
Vibration resistance		250 m/s <sup>2</sup> (10 to 500 Hz), IEC 60068-2-6
Max. operating speed and min. operating speed		(See Table 2.)
Life	Mechanical life	10 million operations
	Electrical life	Snap action: 300000 operations, Slow action: 400000 operations
Environment	Operating temperature	- 25 to +70°C (without freezing)
	Operating humidity	Max. 98% RH
	Storage temperature	- 40 to +70°C
Conduit		G 1/2
Recommended tightening torque		Body: 0.5 to 0.7 N·m (M4) Head: 0.8 to 1.2 N·m (M3 round head screw) Cover: 0.8 to 1.2 N·m (M3 round head screw) Terminal: 0.8 to 1.2 N·m (M3.5 round head screw) Lever: 1.3 to 1.7 N·m (M4 round head screw)

● Table 1. Electrical rating

AC-15: A300 (Ue=240V, Ie=3A)
DC-13: R300 (Ue=250V, Ie=0.1A)

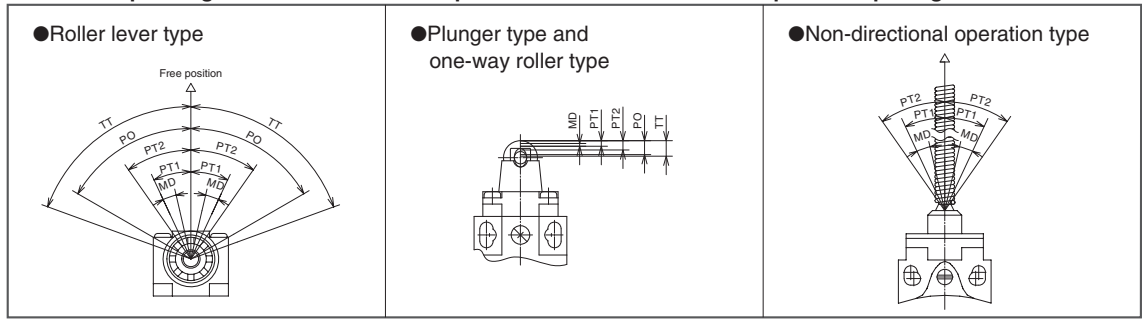
Utilization categories AC-15: solenoid load  
DC-13: solenoid load  
Ue: rated operating voltage  
Ie: rated operating current

● Table 2. Max. operating speed and min. operating speed

Actuator	Roller lever type		Plunger type		One-way roller / non-directional operation types	
	LJK-N2□□18F12	LJK-N2□□39F12	LJK-N2□□10F12	LJK-N2□□02F12	LJK-N2□□21F12	LJK-N2□□27F12
Min. speed	0.03 m/min	1.5 m/s	0.01 m/min	0.5 m/s	0.02 m/min	1 m/s
Max. speed	18 m/min	1.5 m/s	6 m/min	0.5 m/s	12 m/min	1 m/s
Min. speed	18 m/min	1.5 m/s	6 m/min	0.5 m/s	12 m/min	1 m/s
Max. speed	18 m/min	1.5 m/s	6 m/min	0.5 m/s	12 m/min	1 m/s

## OPERATING CHARACTERISTICS BY ROTARY OR IN-LINE ACTUATIONS OF ACTUATORS

O.F.: max. operating force needed for N.C. operation P.O.F: min. force for positive opening

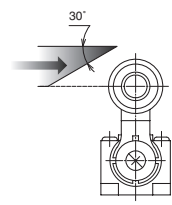
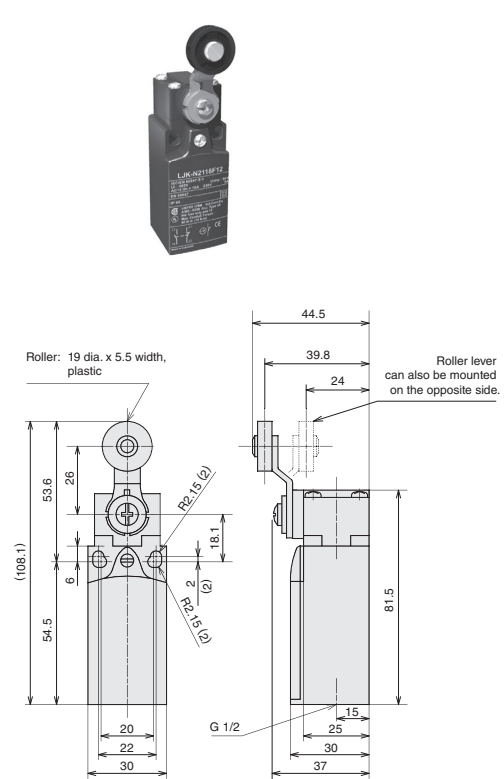


T.T.: total travel. P.T.1: pretravel for N.C. operation. P.T.2: pretravel for N.O. operation.  
 M.D.: minimum movement differential. P.O.: minimum travel to positive opening position.

## SHAPE / DIMENSIONS / OPERATING CHARACTERISTICS / CIRCUIT DIAGRAMS

Resin roller lever: LJK-N2118F12, LJK-N2518F12, LJK-N2718F12

(unit: mm)



Operating characteristics by lever rotational angle	LJK-N2118F12	LJK-N2518F12	LJK-N2718F12
O.F. (max. operating force needed for N.C. operation)	0.1 N-m	0.1 N-m	0.1 N-m
P.O. (min. travel to positive opening position)	50°	47°	41°
P.O.F. (minimum force for positive opening)	0.15 N-m	0.15 N-m	0.15 N-m
PT1 (pretravel for N.C. operation)	(25°)	(28°)	(27°)
PT2 (pretravel for N.O. operation)	-	(38°)	-
MD	(16°)	-	-
TT (total travel)	(70°)	(70°)	(70°)

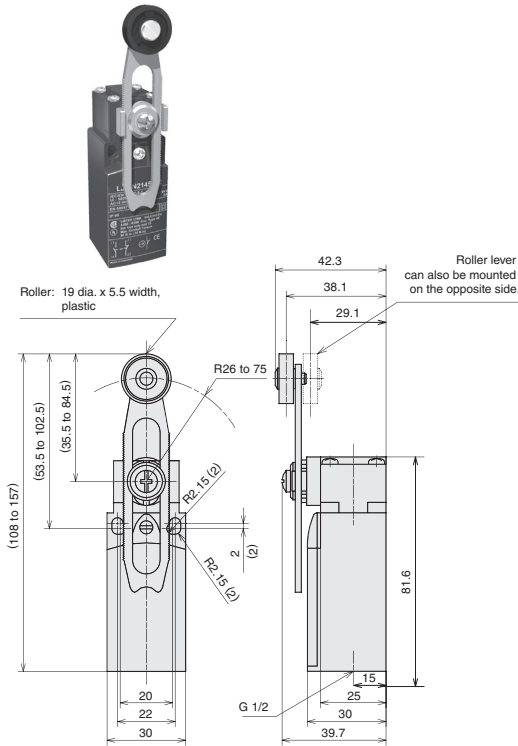
Catalog listing	Operating characteristics by dog operation	Circuit diagram
LJK-N2118F12		
LJK-N2518F12		
LJK-N2718F12		

■ Contacts closed □ Contacts open (P): Min. travel to positive opening position

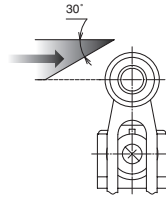
\* Dimensional tolerance is ±0.4 unless otherwise specified.

Resin adjustable roller lever: LJK-N2145F12, LJK-N2545F12, LJK-N2745F12

(unit: mm)



\* Dimensional tolerance is ±0.4 unless otherwise specified.

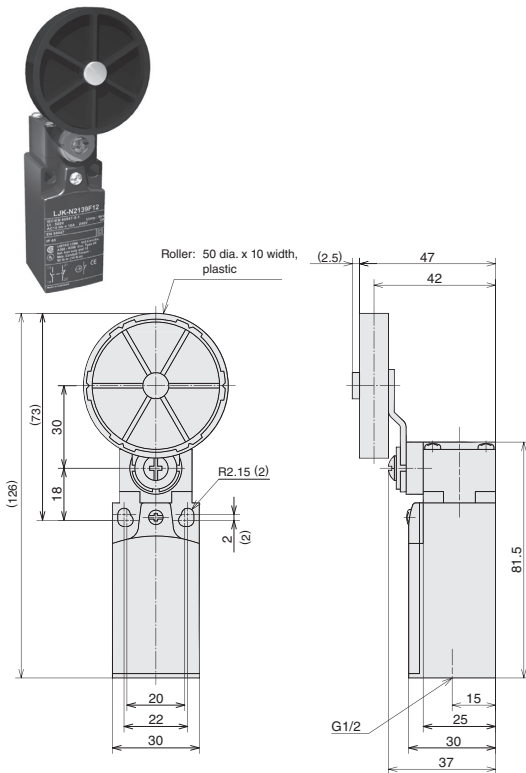


Operating characteristics by lever rotational angle	LJK-N2145F12	LJK-N2545F12	LJK-N2745F12
O.F. (max. operating force needed for N.C. operation)	0.1 N·m	0.1 N·m	0.1 N·m
P.O. (min. travel to positive opening position)	50°	47°	41°
P.O.F. (minimum force for positive opening)	0.15 N·m	0.15 N·m	0.15 N·m
PT1 (pretravel for N.C. operation)	(25°)	(28°)	(27°)
PT2 (pretravel for N.O. operation)	—	(38°)	—
MD	(16°)	—	—
TT (total travel)	(70°)	(70°)	(70°)

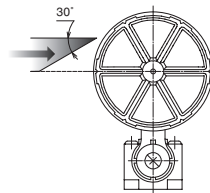
Catalog listing	Operating characteristics by dog operation	Circuit diagram
LJK-N2145F12		
LJK-N2545F12		
LJK-N2745F12		

■ : Contacts closed □ : Contacts open (P): Min. travel to positive opening position

50 mm dia. resin roller lever: LJK-N2139F12, LJK-N2539F12, LJK-N2739F12



\* Dimensional tolerance is ±0.4 unless otherwise specified.



Operating characteristics by lever rotational angle	LJK-N2139F12	LJK-N2539F12	LJK-N2739F12
O.F. (max. operating force needed for N.C. operation)	0.1 N·m	0.1 N·m	0.1 N·m
P.O. (min. travel to positive opening position)	50°	47°	41°
P.O.F. (minimum force for positive opening)	0.15 N·m	0.15 N·m	0.15 N·m
PT1 (pretravel for N.C. operation)	(25°)	(28°)	(27°)
PT2 (pretravel for N.O. operation)	—	(38°)	—
MD	(16°)	—	—
TT (total travel)	(70°)	(70°)	(70°)

Catalog listing	Operating characteristics by dog operation	Circuit diagram
LJK-N2139F12		
LJK-N2539F12		
LJK-N2739F12		

■ : Contacts closed □ : Contacts open (P): Min. travel to positive opening position

PHOTOELECTRIC SENSORS & SWITCHES

MEASUREMENT SENSORS

PROXIMITY SWITCHES

LIMIT SWITCHES

SAFETY KEY SWITCHES

LIMIT SWITCHES WITH POSITIVE OPENING MECHANISM

GENERAL PURPOSE LIMIT SWITCHES

TECHNICAL GUIDE FOR LIMIT SWITCHES

EXPLOSION-PROOF SWITCHES

TECHNICAL GUIDE FOR EXPLOSION-PROOF SWITCHES

LJA10

LJM-□□□□

LJK-N□□□

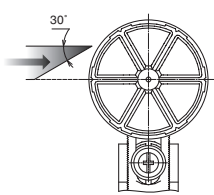
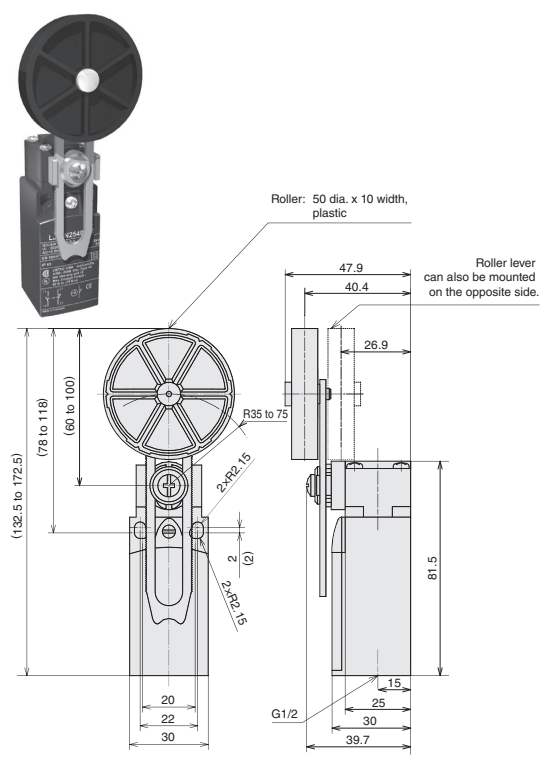
Connector with cable



See page F-001

**50 mm dia. resin adjustable roller lever: LJK-N2149F12, LJK-N2549F12, LJK-N2749F12**

(unit: mm)



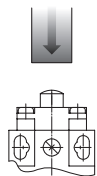
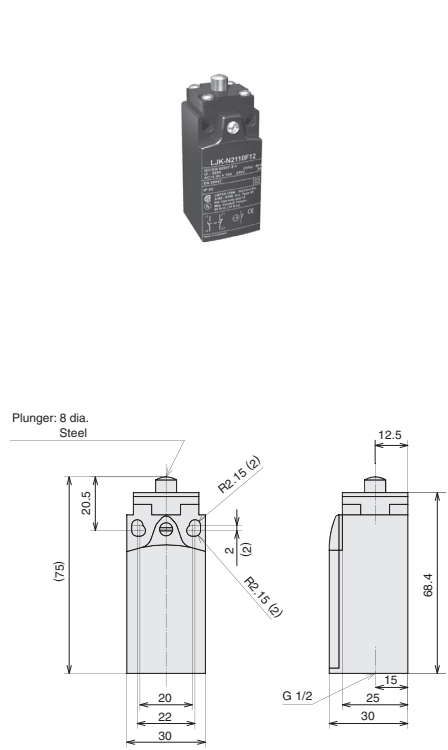
Operating characteristics by lever rotational angle	LJK-N2149F12	LJK-N2549F12	LJK-N2749F12
O.F. (max. operating force needed for N.C. operation)	0.1 N·m	0.1 N·m	0.1 N·m
P.O. (min. travel to positive opening position)	50°	47°	41°
P.O.F. (minimum force for positive opening)	0.15 N·m	0.15 N·m	0.15 N·m
PT1 (pretravel for N.C. operation)	(25°)	(28°)	(27°)
PT2 (pretravel for N.O. operation)	-	(38°)	-
MD	(16°)	-	-
TT (total travel)	(70°)	(70°)	(70°)

Catalog listing	Operating characteristics by dog operation	Circuit diagram
LJK-N2149F12		
LJK-N2549F12		
LJK-N2749F12		

\* Dimensional tolerance is ±0.4 unless otherwise specified.

■ : Contacts closed □ : Contacts open (P): Min. travel to positive opening position

**Plunger: LJK-N2110F12, LJK-N2510F12, LJK-N2710F12**



Operating characteristics by vertical operation	LJK-N2110F12	LJK-N2510F12	LJK-N2710F12
O.F. (max. operating force needed for N.C. operation)	15 N	15 N	15 N
P.O. (min. travel to positive opening position)	4.5 mm	4.2 mm	4.1 mm
P.O.F. (minimum force for positive opening)	30 N	30 N	30 N
PT1 (pretravel for N.C. operation)	(2.5 mm)	(2.8 mm)	(2.7 mm)
PT2 (pretravel for N.O. operation)	-	(4.0 mm)	-
MD	(1.4 mm)	-	-
TT (total travel)	(5.5 mm)	(5.5 mm)	(5.5 mm)

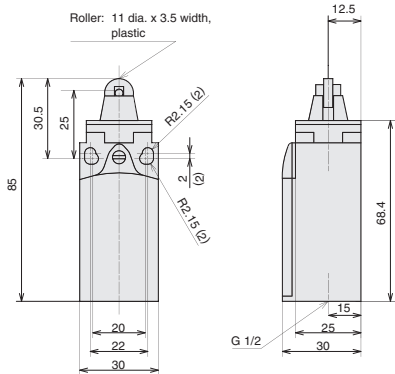
Catalog listing	Operating characteristics by vertical operation	Circuit diagram
LJK-N2110F12		
LJK-N2510F12		
LJK-N2710F12		

\* Dimensional tolerance is ±0.4 unless otherwise specified.

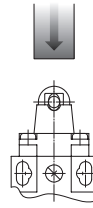
■ : Contacts closed □ : Contacts open (P): Min. travel to positive opening position

## Resin roller plunger: LJK-N2102F12, LJK-N2502F12, LJK-N2702F12

(unit: mm)



\* Dimensional tolerance is  $\pm 0.4$  unless otherwise specified.

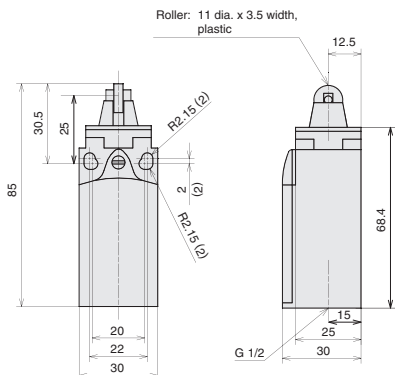


Operating characteristics by vertical operation	LJK-N2102F12	LJK-N2502F12	LJK-N2702F12
O.F. (max. operating force needed for N.C. operation)	15 N	15 N	15 N
P.O. (min. travel to positive opening position)	4.5 mm	4.2 mm	4.1 mm
P.O.F. (minimum force for positive opening)	30 N	30 N	30 N
PT1 (pretravel for N.C. operation)	(2.5 mm)	(2.8 mm)	(2.7 mm)
PT2 (pretravel for N.O. operation)	—	(4.0 mm)	—
MD	(1.4 mm)	—	—
TT (total travel)	(5.5 mm)	(5.5 mm)	(5.5 mm)

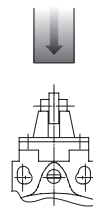
Catalog listing	Operating characteristics by vertical operation	Circuit diagram
LJK-N2102F12		
LJK-N2502F12		
LJK-N2702F12		

■ : Contacts closed □ : Contacts open (P): Min. travel to positive opening position

## Resin cross roller plunger: LJK-N2103F12, LJK-N2503F12, LJK-N2703F12



\* Dimensional tolerance is  $\pm 0.4$  unless otherwise specified.



Operating characteristics by vertical operation	LJK-N2103F12	LJK-N2503F12	LJK-N2703F12
O.F. (max. operating force needed for N.C. operation)	15 N	15 N	15 N
P.O. (min. travel to positive opening position)	4.5 mm	4.2 mm	4.1 mm
P.O.F. (minimum force for positive opening)	30 N	30 N	30 N
PT1 (pretravel for N.C. operation)	(2.5 mm)	(2.8 mm)	(2.7 mm)
PT2 (pretravel for N.O. operation)	—	(4.0 mm)	—
MD	(1.4 mm)	—	—
TT (total travel)	(5.5 mm)	(5.5 mm)	(5.5 mm)

Catalog listing	Operating characteristics by vertical operation	Circuit diagram
LJK-N2103F12		
LJK-N2503F12		
LJK-N2703F12		

■ : Contacts closed □ : Contacts open (P): Min. travel to positive opening position

PHOTOELECTRIC  
SENSORS &  
SWITCHES

MEASUREMENT  
SENSORS

PROXIMITY  
SWITCHES

LIMIT  
SWITCHES

SAFETY  
KEY SWITCHES

LIMIT SWITCHES  
WITH POSITIVE  
OPENING MECHANISM

GENERAL PURPOSE  
LIMIT SWITCHES

TECHNICAL GUIDE  
FOR  
LIMIT SWITCHES

EXPLOSION-PROOF  
SWITCHES

TECHNICAL GUIDE FOR  
EXPLOSION-PROOF  
SWITCHES

LJA10

LJM-□□□□

LJK-N□□□

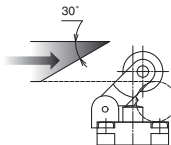
Connector  
with cable



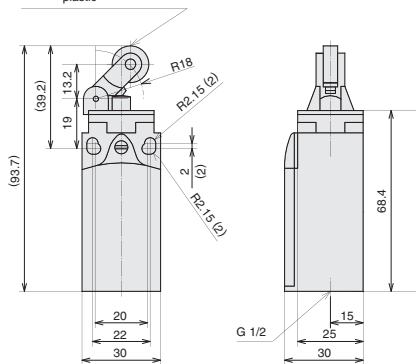
See page  
F-001

**Resin one-way roller (horizontal): LJK-N2121F12, LJK-N2521F12, LJK-N2721F12**

(unit: mm)



Roller: 14 dia. x 5.5 width, plastic



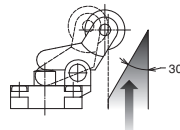
\* Dimensional tolerance is ±0.4 unless otherwise specified.

Operating characteristics by dog operation	LJK-N2121F12	LJK-N2521F12	LJK-N2721F12
O.F. (max. operating force needed for N.C. operation)	6 N	6 N	6 N
P.O. (min. travel to positive opening position)	15.9 mm	14.9 mm	14.6 mm
P.O.F. (minimum force for positive opening)	10 N	10 N	10 N
PT1 (pretravel for N.C. operation)	(9 mm)	(10 mm)	(9.6 mm)
PT2 (pretravel for N.O. operation)	—	(14.1 mm)	—
MD	(5.2 mm)	—	—
TT (total travel)	—	—	—

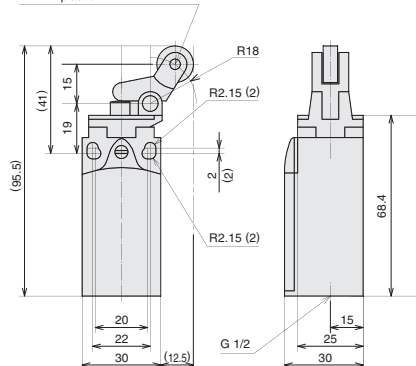
Catalog listing	Operating characteristics by dog operation	Circuit diagram
LJK-N2121F12		
LJK-N2521F12		
LJK-N2721F12		

■ : Contacts closed □ : Contacts open (P): Min. travel to positive opening position

**Resin one-way roller (vertical): LJK-N2127F12, LJK-N2527F12, LJK-N2727F12**



Roller: 14 dia. x 5.5 width, plastic



\* Dimensional tolerance is ±0.4 unless otherwise specified.

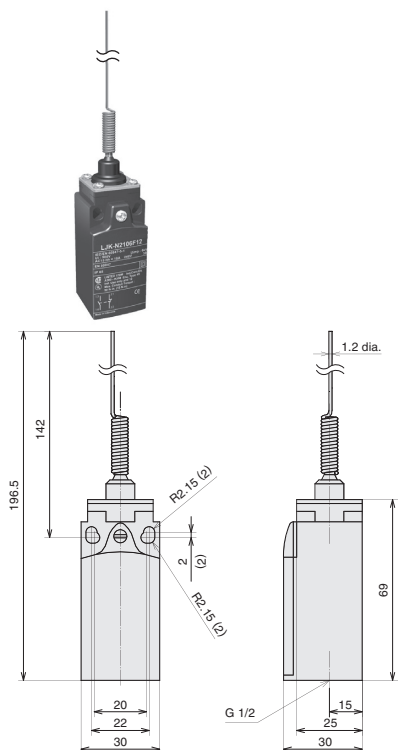
Operating characteristics by dog operation	LJK-N2127F12	LJK-N2527F12	LJK-N2727F12
O.F. (max. operating force needed for N.C. operation)	6 N	6 N	6 N
P.O. (min. travel to positive opening position)	15.9 mm	14.9 mm	14.6 mm
P.O.F. (minimum force for positive opening)	10 N	10 N	10 N
PT1 (pretravel for N.C. operation)	(9 mm)	(10 mm)	(9.6 mm)
PT2 (pretravel for N.O. operation)	—	(14.1 mm)	—
MD	(5.2 mm)	—	—
TT (total travel)	—	—	—

Catalog listing	Operating characteristics by dog operation	Circuit diagram
LJK-N2127F12		
LJK-N2527F12		
LJK-N2727F12		

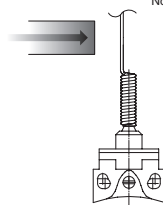
■ : Contacts closed □ : Contacts open (P): Min. travel to positive opening position

## Steel wire: LJK-N2106F12, LJK-N2506F12, LJK-N2706F12

(unit: mm)



\* Dimensional tolerance is  $\pm 0.4$  unless otherwise specified.



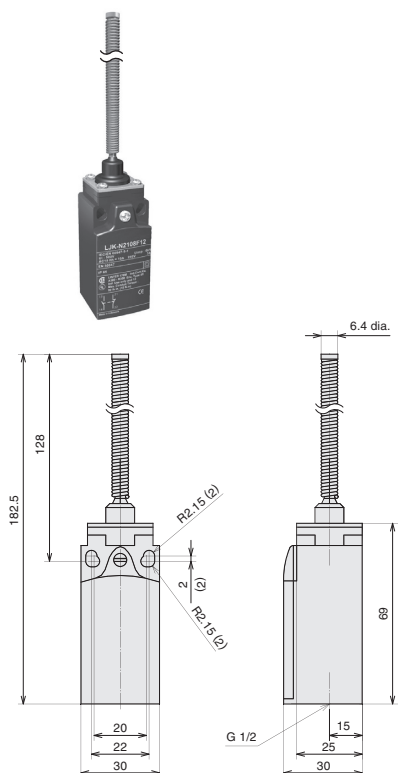
Note: Steel wire switches do not have positive opening mechanism.

Operating characteristics by wire inclination angle	LJK-N2106F12	LJK-N2506F12	LJK-N2706F12
O.F. (max. operating force needed for N.C. operation)	0.13 N-m	0.13 N-m	0.13 N-m
P.O. (min. travel to positive opening position)	-	-	-
P.O.F. (minimum force for positive opening)	-	-	-
PT1 (pretravel for N.C. operation)	(25°)	(28°)	(27°)
PT2 (pretravel for N.O. operation)	-	(40°)	-
MD	(15°)	-	-
TT (total travel)	-	-	-

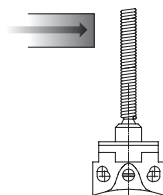
Catalog listing	Operating characteristics by dog operation	Circuit diagram
LJK-N2106F12		
LJK-N2506F12		
LJK-N2706F12		

■ : Contacts closed □ : Contacts open (P): Min. travel to positive opening position

## Spring rod: LJK-N2108F12, LJK-N2508F12, LJK-N2708F12



\* Dimensional tolerance is  $\pm 0.4$  unless otherwise specified.



Note: Steel wire switches do not have positive opening mechanism.

Operating characteristics by rod inclination angle	LJK-N2108F12	LJK-N2508F12	LJK-N2708F12
O.F. (max. operating force needed for N.C. operation)	0.13 N-m	0.13 N-m	0.13 N-m
P.O. (min. travel to positive opening position)	-	-	-
P.O.F. (minimum force for positive opening)	-	-	-
PT1 (pretravel for N.C. operation)	(25°)	(28°)	(27°)
PT2 (pretravel for N.O. operation)	-	(40°)	-
MD	(15°)	-	-
TT (total travel)	-	-	-

Catalog listing	Operating characteristics by dog operation	Circuit diagram
LJK-N2108F12		
LJK-N2508F12		
LJK-N2708F12		

■ : Contacts closed □ : Contacts open (P): Min. travel to positive opening position

PHOTOELECTRIC SENSORS & SWITCHES

MEASUREMENT SENSORS

PROXIMITY SWITCHES

LIMIT SWITCHES

SAFETY KEY SWITCHES

LIMIT SWITCHES WITH POSITIVE OPENING MECHANISM

GENERAL PURPOSE LIMIT SWITCHES

TECHNICAL GUIDE FOR LIMIT SWITCHES

EXPLOSION-PROOF SWITCHES

TECHNICAL GUIDE FOR EXPLOSION-PROOF SWITCHES

LJA10

LJM-D□□□

LJK-N□□□

Connector with cable



See page F-001

D-020



LJA10

LJM-D□□□

LJK-N□□□

## HANDLING PRECAUTIONS

### 1. Mounting the switch

- Always tighten each part of the safety switch to the tightening torque recommended in the product specifications. If any part is tightened excessively, the screw and/or other parts may be damaged.
- Mount the dog so that no force is directly applied to the actuator in the free state.
- Do not use any glue or lubricant containing silicone. Doing so might result in faulty electrical conductivity.

### 2. Wiring

- Do not perform wiring work with the power turned ON. Doing so might cause an electrical shock or cause the device to operate suddenly.

### 3. Adjustment

- Do not apply excessive force (force 5 times larger than the O.F.) to the actuator when it is beyond the operation limit position. Doing so might break the switch.
- Adjust the actuator motion so that it exceeds the specified P.O. (travel to positive opening position) but does not exceed the operation limit position.

### 4. Operating environment

- Do not use in a location subject to splashing with strong acid or alkali.

### 5. Other cautions

- Do not apply a lubricant to the sliding part of the actuator or any other component. Application of an inappropriate lubricant may degrade sliding performance or impair the protective structure.
- Remove any foreign substances adhering to the sliding part. Dust or any other foreign substance attached to the sliding part may cause a malfunction.
- Check the actual load.  
To increase reliability, confirm that the switch has no problems in actual use before using the switch.

Before use, thoroughly read the "Precautions for use" and "Precautions for handling" in the Technical Guide on pages **D-101** to **D-112** as well as the instruction manual and product specification for this switch.

Please read "Terms and Conditions" from the following URL before ordering and use.

<https://www.azbil.com/products/factory/order.html>

*[Notice] Specifications are subject to change without notice.  
No part of this publication may be reproduced or duplicated  
without the prior written permission of Azbil Corporation.*

Other product names, model numbers and company names may be trademarks of the respective company.

## Azbil Corporation

Advanced Automation Company

*Yamatake Corporation changed its name to Azbil Corporation on April 1, 2012.*

1-12-2 Kawana, Fujisawa  
Kanagawa 251-8522 Japan

URL: <https://www.azbil.com>

1st Edition : Jan. 2018