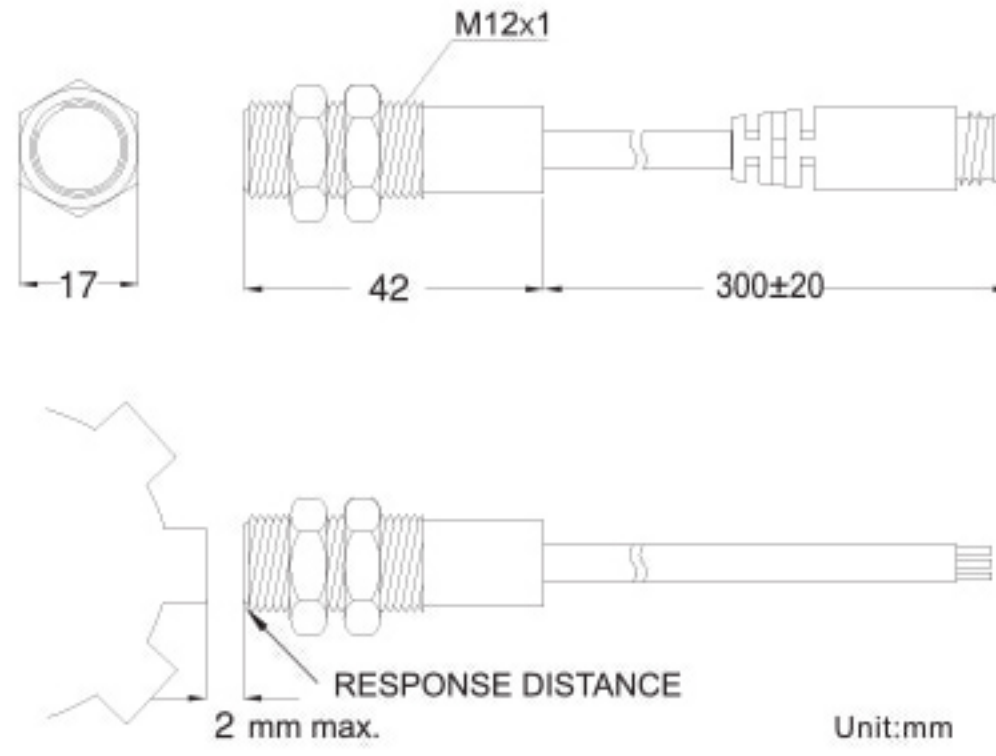


Gear Tooth Sensor

# KT-22 SERIES



### ■ DIMENSIONS



### ■ QD PINOUT



### ■ SPECIFICATIONS

TYPE	KT-22
CONNECT DIAGRAM	
CHARACTERISTICS	
Wiring Method	3-Wire Type
Switching Logic	Solid State Output, Normally Open
Sensor Type	NPN Current Sinking
Operating Voltage	3.5~24V DC
Switching Current	25mA. max.
Contact Rating (*1)	0.6W max.
Current Consumption	7mA @ 24V DC max.
Voltage Drop	0.6V @ 25mA max.
Leakage Current	0.01mA max.
Indicator	-
Cable	ø4.5, 3C, PVC
Response Frequency	50K Hz
Response Distance	2mm max.
Temperature Range	-10~70°C
Shock (*2)	50G
Vibration (*3)	9G
Enclosure Classification	IEC 60529 IP67
Protection Circuit (*4)	2

NOTE:  
 1. WARNING: Never exceed rating (Watt=Voltage x Amperage). Permanent damage to sensor will occur.  
 2. Sin wave / X, Y, Z 3 directions / 3 times each direction / 11 ms each time.  
 3. Double amplitude 1.5 mm / 10Hz~55Hz~10Hz (Sweep 1 min) / X, Y, Z 3 directions / 1 hour each time.  
 4. 1=None / 2=Short-circuit / 3=Power Source Reverse polarity / 4=Surge Suppression

### ■ APPLICATION

