

▶ ME SERIES MINI LIMIT SWITCHES

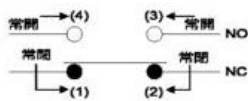
◆ FEATURES

- Wide choice of heads and actuators.
- Variety of operating characteristics.
- Captive cover screws.
- Mode of operation is field adjustable.
- Internal grounding screw.
- Dustproof, Oil-Tight, Water-Resistant.
- Temperature range +5°F to + 160°F.

◆ RATING

| | |
|------|---------------------|
| 5A | 250V AC (resistive) |
| 0.4A | 115V DC (resistive) |

◆ CIRCUITRY



◆ FIELD ADJUSTABLE

Rotary motion roller lever and rod actuators are adjustable through 360°. They may be set for operation clockwise, counter-clockwise, or in both directions. Operating heads may be positioned in any of four 90° positions.

◆ EASY WIRING

1. Loosen cover screws and remove cover.
2. Remove rubber strain relief from switch cover.
3. Slip strain relief over cable.
4. Fasten terminal screws and grounding screw tightly after inserting cables or terminals.
5. After wiring, insert strain relief into the groove of the switch cover.
6. Fasten 3 cover screws evenly. Do not over tighten.
7. Recommended Cable-# 18/3 SJT Flexible.



● ME-8107

● ME-8111

● ME-8104-L

● ME-8104F

● ME-8108-M

● ME-8104-M

● ME-8108-L

● ME-8108



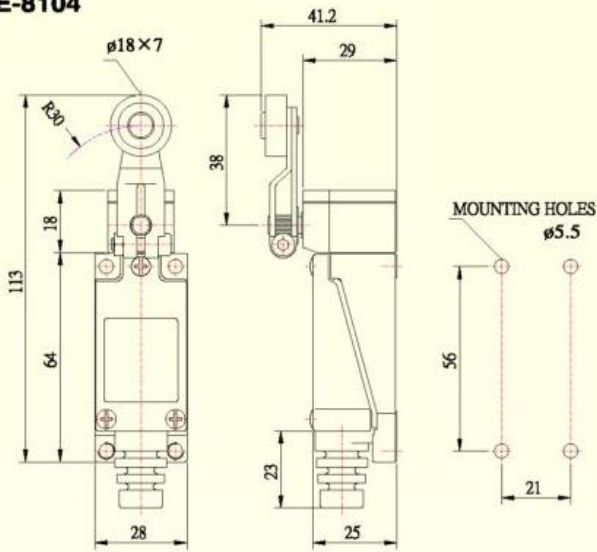
◆ CHARACTERISTICS

| | |
|-----------------------|--|
| Operating speed | 0.5mm to 50m/sec |
| Operating frequency | Mechanically: 120 operations/min. Electrically: 30 operations/min. |
| Contact resistance | 15m Ω max. (initial) |
| Insulation resistance | 100M Ω min. (at 500 V DC) |
| Dielectric strength | 1,000 VAC, 50/60 Hz for 1 minute between non-continuous terminals 2,000 VAC, 50/60 Hz for 1 minute between each terminal and non-current carrying metal part and between each terminal and ground |
| Vibration | Malfunction durability: 10 to 55Hz; 1.5mm double amplitude |
| Shock | Mechanical durability: Approx. 1,000m/sec ² (approx. 100G's) Malfunction durability: Approx. 300m/sec ² (approx. 30 G's) |
| Ambient temperature | Operating: -15°C to +70°C |
| Humidity | 95% RH max |
| Service life | Mechanically: 10,000,000 operations min. Electrically: 300,000 operations min. |
| Degree of protection | IEC 529 class IP65 |

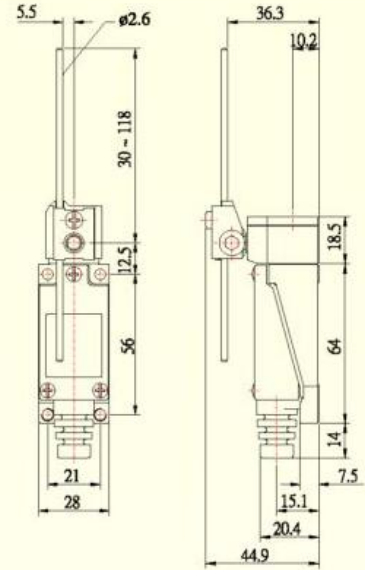
ORDER GUIDE

DIMENSIONS (mm)

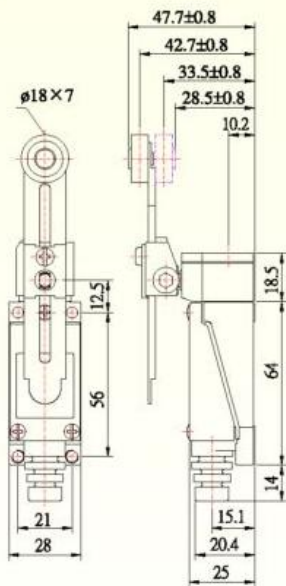
ME-8104



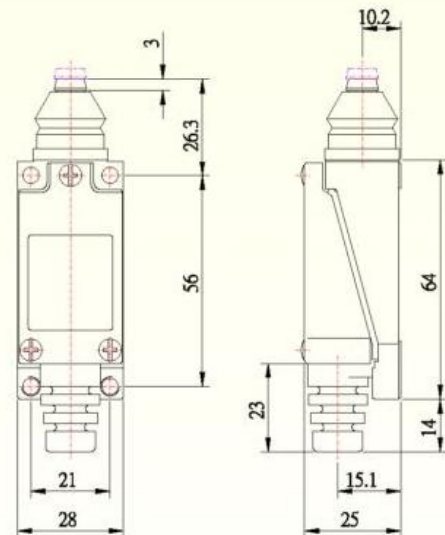
ME-8107



ME-8108



ME-8111



OPERATING CHARACTERISTICS

| | ME-8104 |
|--------|---------|
| OF MAX | 600g |
| RF MIN | 50g |
| PT MAX | 20° |
| OT MIN | 75° |
| DT MAX | 10° |
| TT MIN | 95° |

| | ME-8108 |
|--------|---------|
| OF MAX | 340g |
| RF MIN | 21g |
| PT MAX | 20° |
| OT MIN | 75° |
| DT MAX | 10° |
| TT MIN | 95° |

| | ME-8107 |
|--------|---------|
| OF MAX | 203g |
| RF MIN | 12g |
| PT MAX | 20° |
| OT MIN | 75° |
| DT MAX | 10° |
| TT MIN | 95° |

| | ME-8111 |
|--------|---------|
| OF MAX | 900g |
| RF MIN | 150g |
| PT MAX | 1.5mm |
| OT MIN | 4.0mm |
| DT MAX | 0.7mm |
| TT MIN | 5mm |

▶ ME SERIES MINI LIMIT SWITCHES

◆ ORDER GUIDE

● Standard type:

ME-8104 ME-8107 ME-8108 ME-8111 ME-8112 ME-8122 ME-8166 ME-8169 ME-9101 ME-8000

● Flat cover type(Custom made):

ME-8104F ME-8107F ME-8108F ME-8111F ME-8112F ME-8122F ME-8166F ME-8169F ME-9101F

● Metal roller (Custom made):

ME-8104-M ME-8108-M

● Ø50mm rubber's roller(Custom made): 50mm

ME-8104-L ME-8108-L

● Plastic roller (Custom made):

ME-8112-P ME-8122-P

● 1/4 steel and 3/4 spring (Custom made):

ME-9101-HI

◆ REMARK:

● Metal roller type:

ME-8104-M ME-8108-M

● Plastic roller type:

ME-8112-P ME-8122-P

● ø50mm rubber's roller type: ø50mm

ME-8104-L ME-8108-L

● ME-9101-HI → 1/4 steel and 3/4 spring

◆ " F " type:



● ME-8104F

NOTE:

1. Not for use in inflammable or explosive atmospheres.
2. " F " type's screw cover is of rectangle in shape, other elements remain unchanged.



● ME-8122



● ME-9101



● ME-8166



● ME-8169



● ME-8112-P



● ME-8122-



● ME-9101-HI

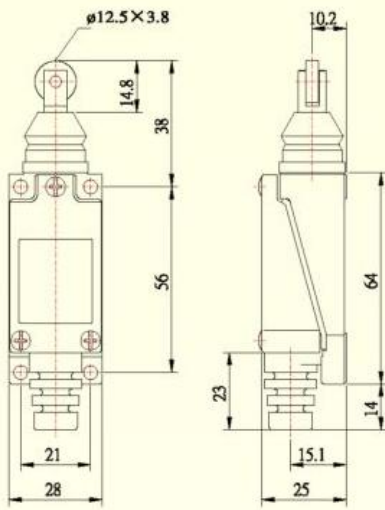


● ME-8112

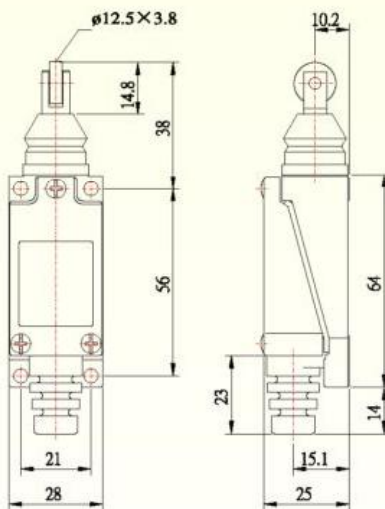
ORDER GUIDE

DIMENSIONS (mm)

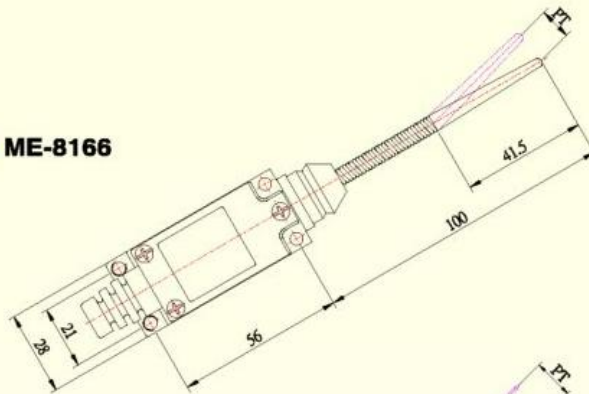
ME-8112



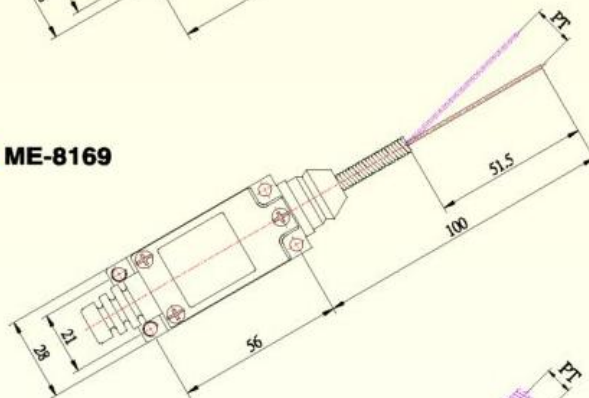
ME-8122



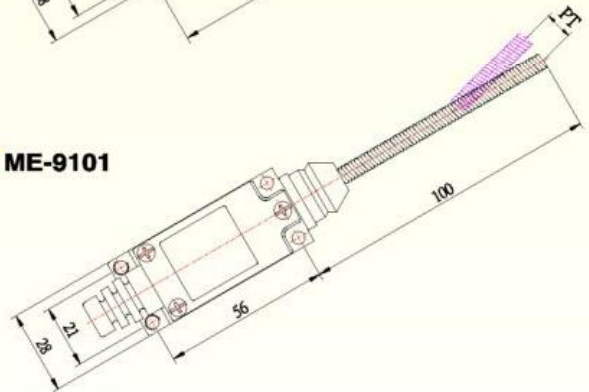
ME-8166



ME-8169



ME-9101



OPERATING CHARACTERISTICS

| | ME-8112 |
|--------|---------|
| OF MAX | 900g |
| RF MIN | 150g |
| PT MAX | 1.5mm |
| OT MIN | 4.0mm |
| DT MAX | 0.7mm |
| TT MIN | 5mm |

| | ME-8122 |
|--------|---------|
| OF MAX | 900g |
| RF MIN | 150g |
| PT MAX | 1.5mm |
| OT MIN | 4.0mm |
| DT MAX | 0.7mm |
| TT MIN | 5mm |

| | ME-8166 |
|--------|---------|
| OF MAX | 90g |
| RF MIN | - |
| PT MAX | 30mm |
| OT MIN | 20mm |
| DT MAX | - |
| TT MIN | - |

| | ME-8169 |
|--------|---------|
| OF MAX | 90g |
| RF MIN | - |
| PT MAX | 30mm |
| OT MIN | 20mm |
| DT MAX | - |
| TT MIN | - |

| | ME-9101 |
|--------|---------|
| OF MAX | 90g |
| RF MIN | - |
| PT MAX | 30mm |
| OT MIN | 20mm |
| DT MAX | - |
| TT MIN | - |