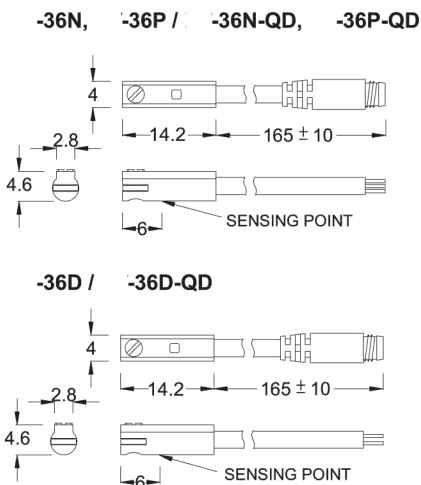
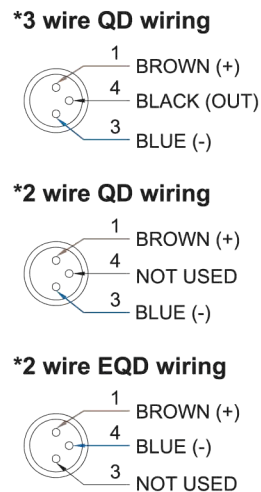




■ DIMENSION



■ QD PINOUT



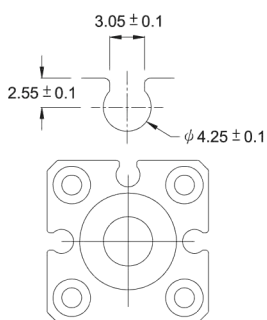
■ SPECIFICATION

TYPE	BTC-36D	BTC-36N	BTC-36P
CONNECT DIAGRAM			
CHARACTERISTICS			
WIRING METHOD	2-Wire Type	3-Wire Type	
SWITCHING LOGIC	Solid State Output, Normally Open		
SENSOR TYPE	--	NPN Current Sinking	PNP Current Sourcing
OPERATING VOLTAGE	10~28V DC	4.5~28V DC	
SWITCHING CURRENT	4~20 mA max.	50 mA max.	
CONTACT RATING (NOTE 1)	0.6 W max.	1.5 W max.	
CURRENT CONSUMPTION	--	10 mA @ 24V DC max.	
VOLTAGE DROP	3.5 V max.	0.5V @ 50mA max.	
LEAKAGE CURRENT	0.8 mA max.	0.01 mA max.	
INDICATOR	Red LED		
CABLE	ø2.6, 2C, PVC	ø2.6, 3C, PVC	
OPERATING FREQUENCY	1000 Hz		
MAGNET REQUIREMENT (NOTE 2)	40 Gauss		
TEMPERATURE RANGE	-10~70°C		
SHOCK (NOTE 3)	50 G		
VIBRATION (NOTE 4)	9 G		
ENCLOSURE CLASSIFICATION	IEC 529 IP 67		
PROTECTION CIRCUIT (NOTE 5)	4	3,4	

NOTE:

1. WARNING: Never exceed rating (Watt=Voltage x Amperage). Permanent damage to sensor will occur.
2. Measuring standard target: ø15.5Xø8X5t (Anisotropy rubber magnet)
3. Sin wave / X, Y, Z 3 directions / 3 times each direction / 11 ms each time.
4. Double amplitude 1.5 mm / 10Hz~55Hz~10Hz (Sweep 1 min) / X, Y, Z 3 directions / 1 hour each time.
5. 1=None / 2=Short-circuit / 3=Power Source Reverse polarity / 4=Surge Suppression

■ GROOVE DIMENSION



Unit:mm