

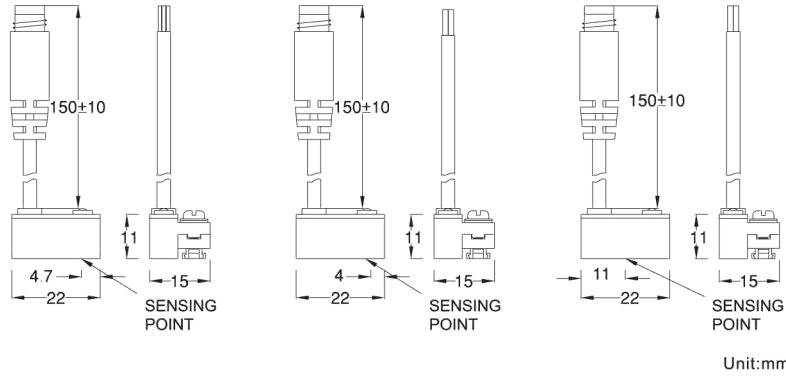
BTC-33 SERIES

biltec®

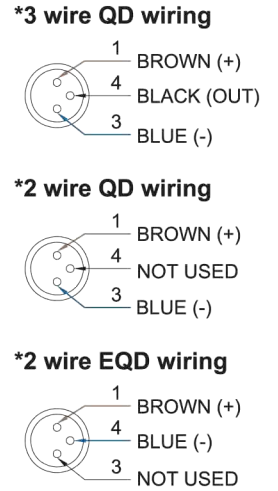


■ DIMENSION

BTC-33N, BTC-33P, BTC-33D, BTC-33D-QD, BTC-33R
BTC-33R-QD, BTC-33N-QD, BTC-33P-QD



■ QD PINOUT

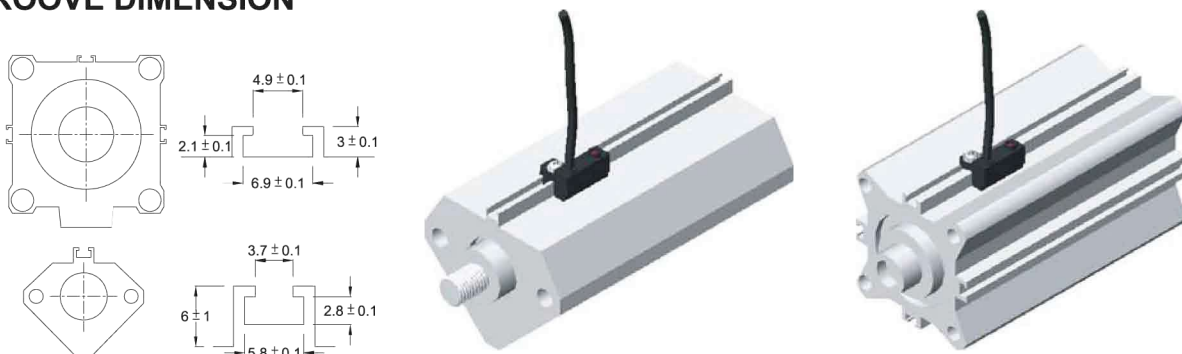


■ SPECIFICATION

TYPE	BTC-33R	BTC-33D	BTC-33N	BTC-33P
CONNECT DIAGRAM				
CHARACTERISTICS	2-Wire Type		3-Wire Type	
WIRING METHOD	2-Wire Type		3-Wire Type	
SWITCHING LOGIC	SPST, Normally Open		Solid State Output, Normally Open	
SENSOR TYPE	Reed Switch	--	NPN Current Sinking	PNP Current Sourcing
OPERATING VOLTAGE	5~240V DC/AC	10~28V DC	5~30V DC	
SWITCHING CURRENT	100 mA max.	4~40 mA max.	200 mA max.	
CONTACT RATING (NOTE 1)	10 W max.	1.5 W max.	6 W max.	
CURRENT CONSUMPTION	--		22 mA @ 24V DC max.	20 mA @ 24V DC max.
VOLTAGE DROP	3.5 V max.		0.5 V max.	
LEAKAGE CURRENT	--	1 mA max	0.01 mA max.	
INDICATOR	Red LED	Green LED	Red LED	Green LED
CABLE	ø3.3, 2C, PVC		ø3.3, 3C, PVC	
OPERATING FREQUENCY	200 Hz		1000 Hz	
MAGNET REQUIREMENT (NOTE 2)	60 Gauss		40 Gauss	
TEMPERATURE RANGE	-10~70°C			
SHOCK (NOTE 3)	30 G		50 G	
VIBRATION (NOTE 4)	9 G			
ENCLOSURE CLASSIFICATION	IEC 529 IP 67			
PROTECTION CIRCUIT (NOTE 5)	1	4	3,4	

- NOTE:
1. WARNING: Never exceed rating (Watt=Voltage x Amperage). Permanent damage to sensor will occur.
 2. Measuring standard target: ø15.5Xø8X5t (Anisotropy rubber magnet)
 3. Sin wave / X, Y, Z 3 directions / 3 times each direction / 11 ms each time.
 4. Double amplitude 1.5 mm / 10Hz~55Hz~10Hz (Sweep 1 min) / X, Y, Z 3 directions / 1 hour each time.
 5. 1=None / 2=Short-circuit / 3=Power Source Reverse polarity / 4=Surge Suppression

■ GROOVE DIMENSION



Unit:mm