

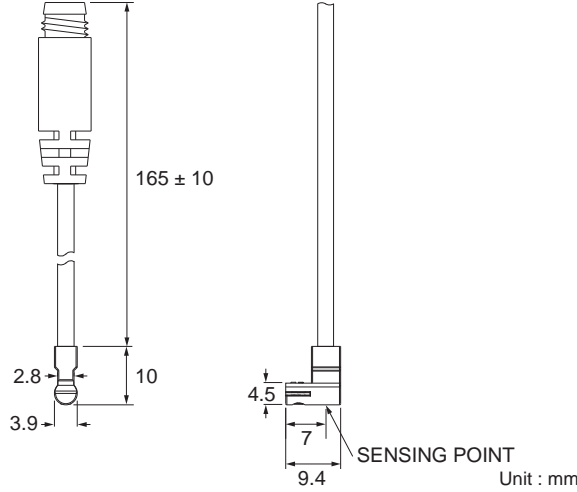
# BTC-39 SERIES

**Compact Size**

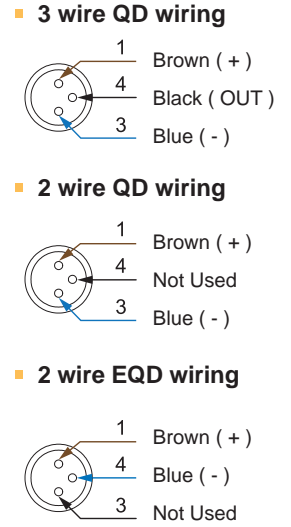


**Dimensions**

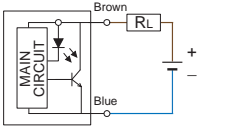
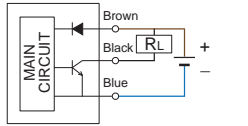
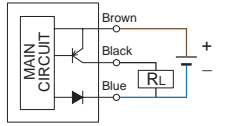
BTC-39DE, BTC-39NE, BTC-39PE /  
 BTC-39DE-QD, BTC-39NE-QD, BTC-39PE-QD



**QD Pinout**



**Specifications**

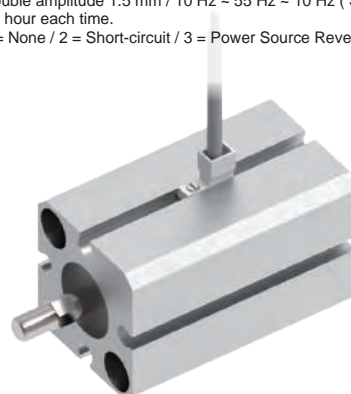
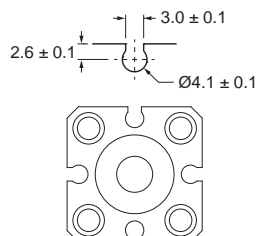
MODEL	BTC-39DE	BTC-39NE	BTC-39PE
<b>Connect Diagram</b>			
<b>Characteristics</b>			
<b>Wiring Method</b>	2-Wire type	3-Wire type	
<b>Switching Logic</b>	Solid State Output, Normally Open		
<b>Sensor Type</b>	-	NPN Current Sinking	PNP Current Sourcing
<b>Operating Voltage</b>	5 ~ 30 V DC		
<b>Switching Current</b>	50 mA max.	80 mA max.	
<b>Contact Rating ※1</b>	1.5 W max.	2.2 W max.	
<b>Current Consumption ※2</b>	-	6 mA @ 24 V DC max.	
<b>Voltage Drop ※2</b>	3.5 V max.	0.5 V @ 50 mA max.	
<b>Leakage Current ※2</b>	0.1 mA (40 uA) max.	0.01 mA max.	
<b>Indicator</b>	Red LED		
<b>Lead Wire</b>	Ø2.6 PVC - 26 AWG ( 0.15 mm <sup>2</sup> ) - 2 cores	Ø2.6 PVC - 26 AWG ( 0.15 mm <sup>2</sup> ) - 3 cores	
<b>Operating Frequency</b>	1000 Hz		
<b>Magnet Requirement ※2, 3</b>	40 ~ 1000 Gauss		
<b>Temperature Range</b>	-10 ~ 70 °C		
<b>Shock ※4</b>	50 G		
<b>Vibration ※5</b>	9 G		
<b>Enclosure</b>	IEC 60529 IP67		
<b>Protection Circuit ※6</b>	3, 4		

**NOTE**

※1 : WARNING : Never exceed rating ( Watt = Voltage x Amperage ). Permanent damage to sensor will occur.  
 ※2 : It bases on conditions of voltage 24 V DC, ambient temp. 25 °C and 2 meters cable of sensor. Voltage drop increases in pace with cable length.  
 ※3 : Measuring standard target : Ø15.5 x Ø8 x 5t ( Anisotropy rubber magnet )

※4 : Sin wave / X, Y, Z 3 directions / 3 times each direction / 11 ms each time.  
 ※5 : Double amplitude 1.5 mm / 10 Hz ~ 55 Hz ~ 10 Hz ( Sweep 1 min ) / X, Y, Z 3 directions / 1 hour each time.  
 ※6 : 1 = None / 2 = Short-circuit / 3 = Power Source Reverse polarity / 4 = Surge Suppression

**Groove Dimensions**



Unit : mm